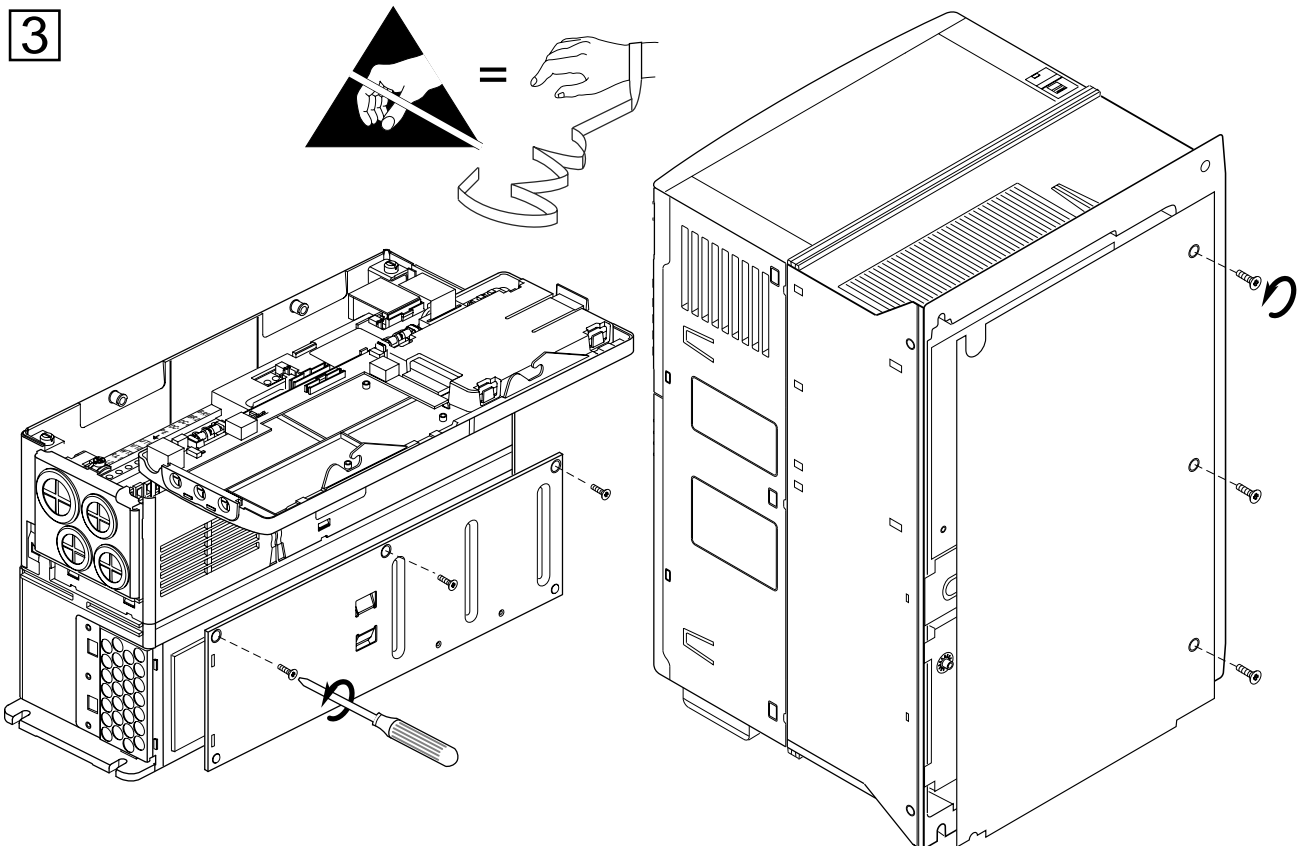
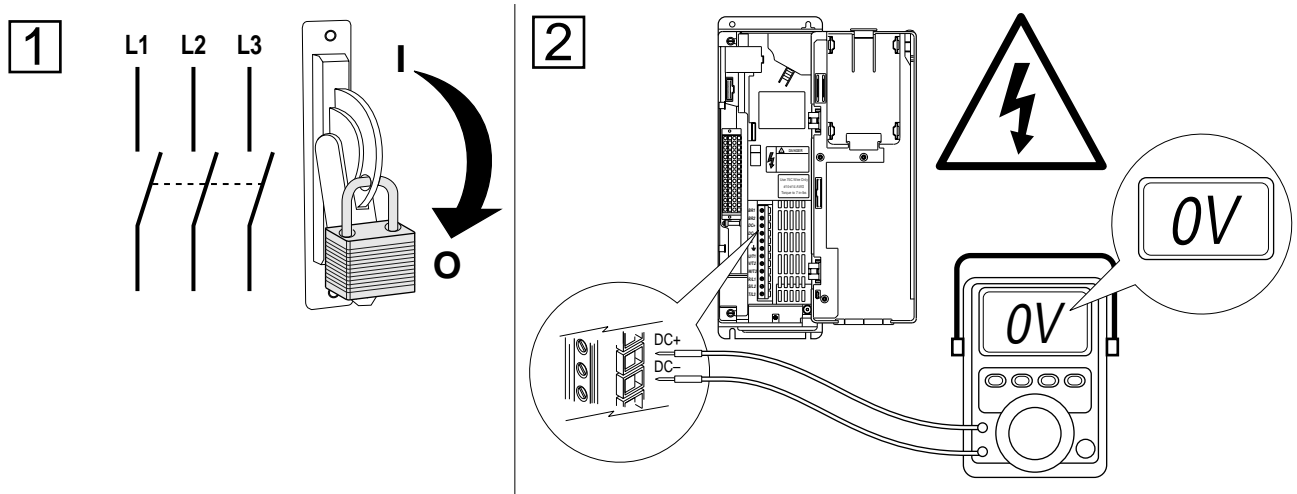
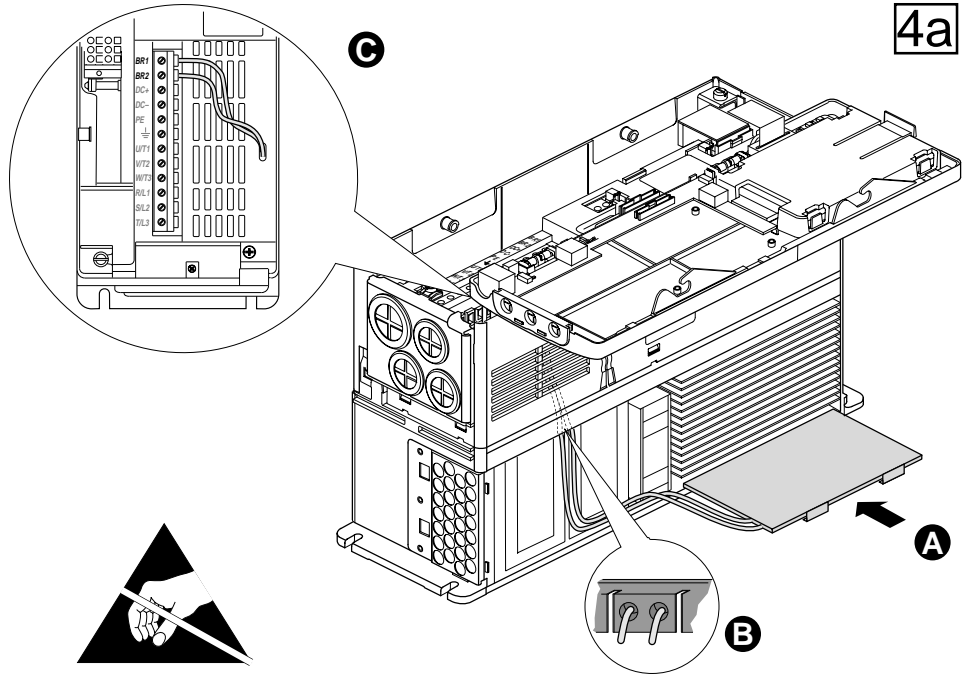




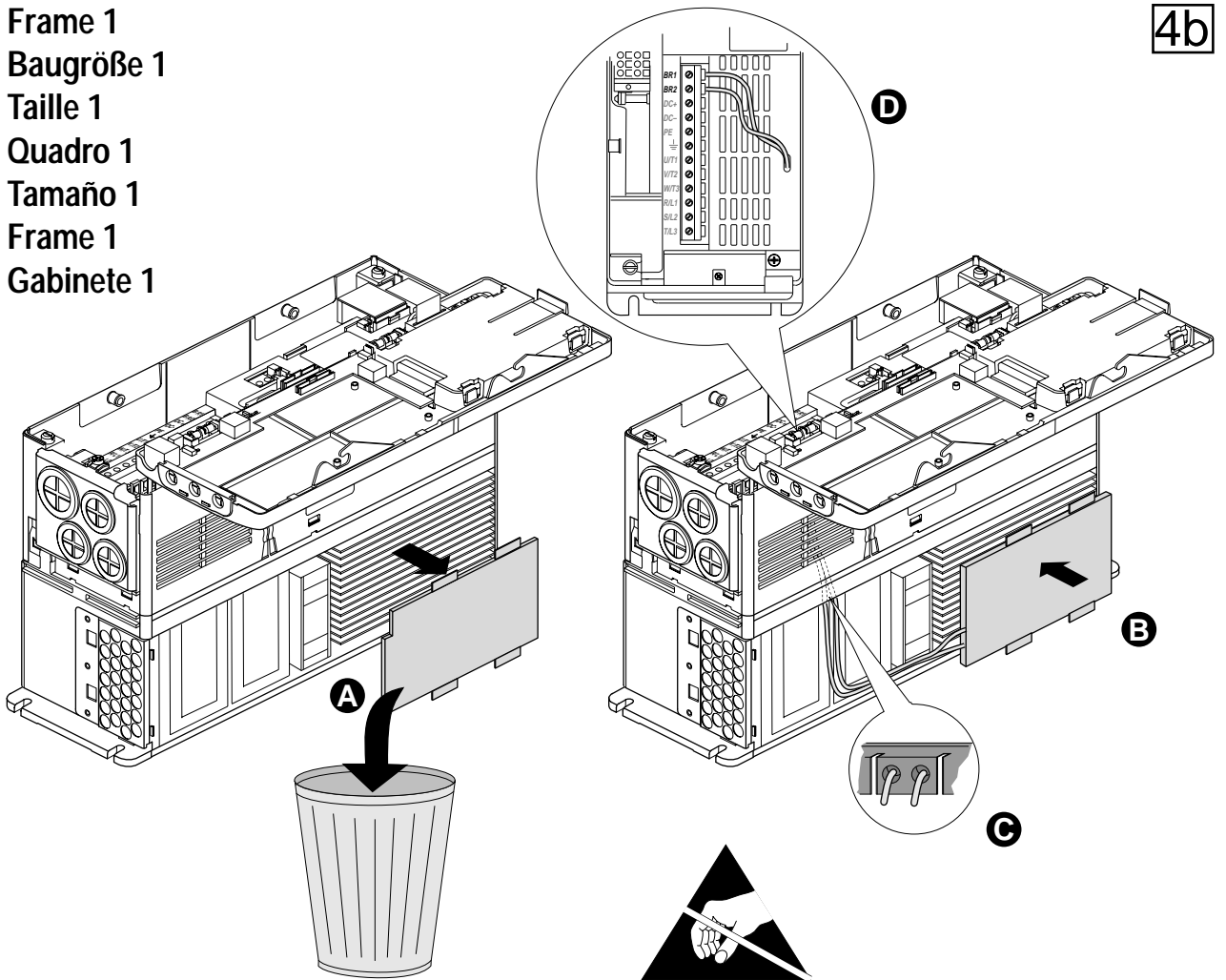
PowerFlex 700 Internal Dynamic Brake Kits
Interne Bremswiderstände für PowerFlex 700
Kits de Freinage Dynamique Interne pour PowerFlex 700
Kit Interno per Frenatura Dinamica PowerFlex 700
Accesorio para Freno Dinámico Interno
PowerFlex 700 Interne Dynamische-remsets
Kits de Frenagem Dinâmica Interna do PowerFlex 700



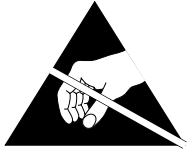
Frame 0
Baugröße 0
Taille 0
Quadro 0
Tamaño 0
Frame 0
Gabinete 0



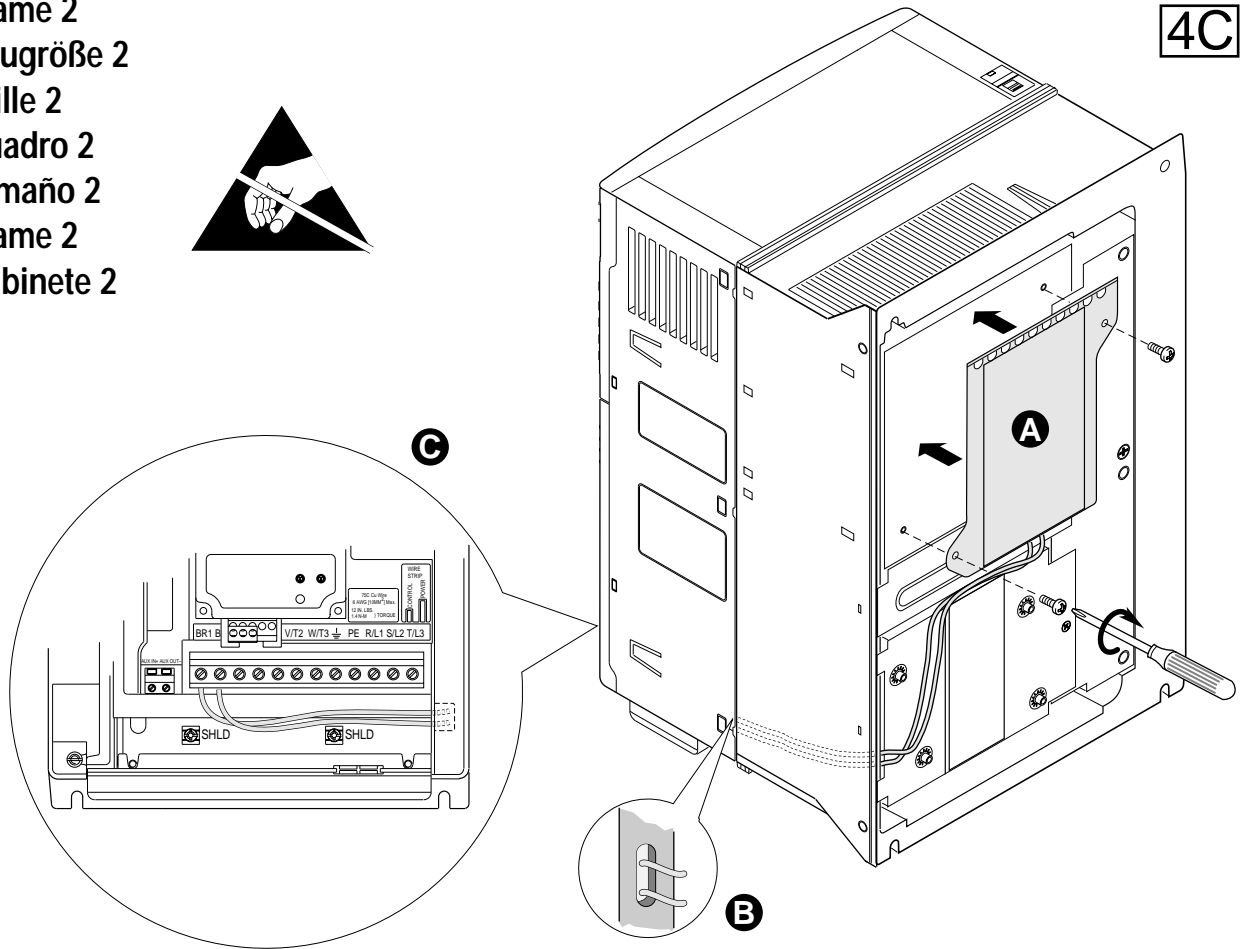
Frame 1
Baugröße 1
Taille 1
Quadro 1
Tamaño 1
Frame 1
Gabinete 1



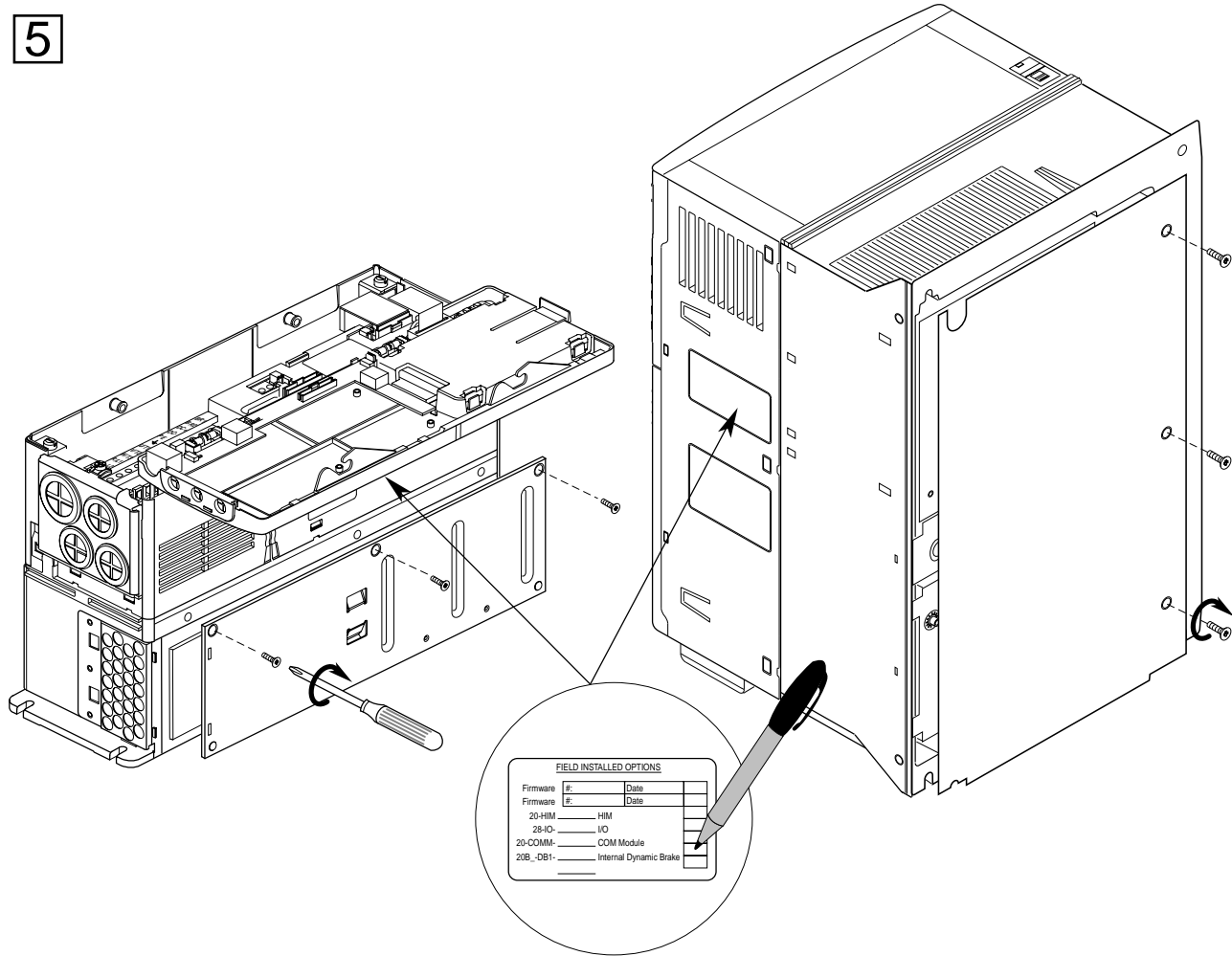
Frame 2
Baugröße 2
Taille 2
Quadro 2
Tamaño 2
Frame 2
Gabinete 2



4C



5



www.rockwellautomation.com

Power, Control and Information Solutions Headquarters

Americas: Rockwell Automation, 1201 South Second Street, Milwaukee, WI 53204-2496 USA, Tel: (1) 414.382.2000, Fax: (1) 414.382.4444
Europe/Middle East/Africa: Rockwell Automation, Vorstlaan/Boulevard du Souverain 36, 1170 Brussels, Belgium, Tel: (32) 2 663 0600, Fax: (32) 2 663 0640
Asia Pacific: Rockwell Automation, Level 14, Core F, Cyberport 3, 100 Cyberport Road, Hong Kong, Tel: (852) 2887 4788, Fax: (852) 2508 1846

Publication 20B-IN001B-MU-P – November, 2001
Supersedes 20B-IN001A-MU-P – August, 2001

P/N 310193-P02
Copyright © 2001 Rockwell Automation. All rights reserved. Printed in USA.